

Rudox Power Generation Natural Gas Generator Set

ERM1500GMS (1500kW) – Mitsubishi

	Stand-by rating for emergency use (*)
ERM1500GMS rated output	60 HZ
Generator output (kW)	1500
Generator output (kVA)	1875
Generator speed (RPM)	1800

Minimum operating current	BTU/kWh	CFH
Fuel consumption	8,053	14,166
At 100% load based on L.H.V.		

NOTE: Fuel consumption has a 5% tolerance

HZ	Wire	Voltage range
60 HZ	3	440 - 480
60 HZ	4	254/440–277/480

Note: 4,160 & 13,800 are also available

Weight/dimensions with radiator	
W x L x H (in)	108" x 320" x 128"
Wet weight (lbs)	46,500

Weight/dimensions without radiator	
W x L x H (in)	86" x 233" x 93"
Wet weight (lbs)	39,400

The **ERM1500GMS (1500 kW)** prime power duty system stands out as a leader in its class. Boasting a prime power duty output of **1500 kW** and powered by a heavy duty **mitsubishi** engine, coupled with an efficient **STAMFORD** generator, this Centrica Business Solutions generator set will meet and exceed all your power generation needs. At **8,053 BTU/kWh** at full load, the fuel efficiency of the reliable **mitsubishi** engine provides the consistent, dependable performance you have come to expect from any Centrica Business Solutions product. This unit is loaded with standard equipment such as a digital controller and the customer control interface is easy to operate with basic displays such as voltage, current and power as well as alarms like low oil pressure, battery charge failure and high coolant temperature. All of this comes with the exceptional 24 hour, seven day a week service guarantee provided by the Centrica Business Solutions professional service team.

Performance Characteristics

Standard Rudox power generator sets have high performance components to meet the toughest applications

Precise voltage regulation

- + ½ % steady state
- + 1 % from no load to full load

Precise frequency control

- The Woodward electronic isochronous governor has 0% droop,
- No load to full load, and + ½ % steady state

Permanent magnet excitation

- Provides excellent performance with heavy SCR Loads
- 300% Full load current available for 10 seconds during short circuit condition

High motor starting capacity generator

- 250% of Rated Capacity for 10 Seconds

Paralleling options

- Controls can be added for completely automatic multi-unit synchronization and load sharing

Low emissions – meets US EPA standards for prime power use

- The **mitsubishi** lean burn engine has low emissions and can be certified for emergency or prime power use

UL2200

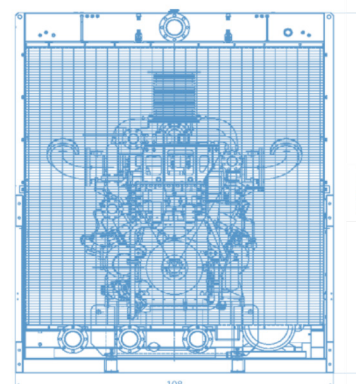
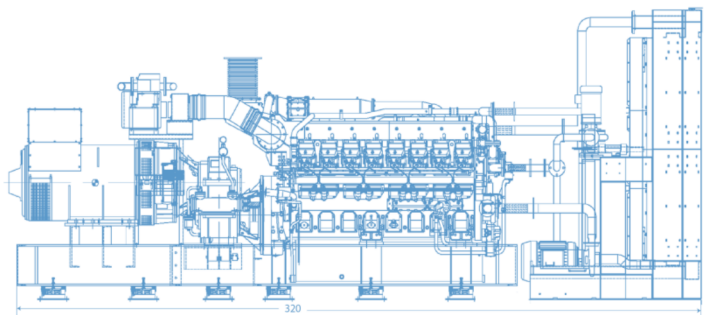
- Units are built to U.L. Standards; U.L. certification is also available

Clean exhaust emissions data (for stand-by)

NOx	0.9 g/bhp-hr (100% load)
CO	0.5 g/bhp-hr (100% load)
NMHC	0.5 g/bhp-hr (100% load)

Standard natural gas supply requirements

Requires a maximum of 15.0 Million BTU/hr of Pipeline Quality Gas at 1040 BTU/CF. Minimum Gas Pressure of 2.9 PSI.



Generator set specifications

ERM1500GMS rated output	60 HZ (100% loaded)
Generator speed (RPM)	1800
Generator output (kW)	1500
Generator output (kVA)	1875
Combustion air flow (CFM)	3716
Heat rejection to ambient (BTU/MIN)	7275
Exhaust temperature	752°F
Exhaust gas flow (SCFM)	9694
Radiator air flow (CFM)	120,000

Standard equipment

- MITSUBISHI GS16R2-PTK natural gas Miller cycle engine
- STAMFORD single bearing generator (HC1634J) rated for 120°C rise with 3 phase static voltage regulator (MX321) and permanent magnetic excitation. All rated per NEMA code with class H insulation.
- Heavy duty structural steel sub-base
- Woodward electronic governor and air/fuel ratio controller
- 24V electric start system
- Dual 20 Amp battery chargers
- Residential silencer with stainless steel flexible connection
- 2-way oxidation catalyst
- 24V lead acid batteries, rack and cables
- Flexible gas line with duplex gas shutoff valves and natural gas regulator
- Freestanding radiator cooling system for 100°F ambient and 0.5" additional static
- Freestanding control panel with digital controller
- Engine safety switches and pre-alarms to meet NFPA requirement
- Pre-chamber gas compressor mounted integral with generator skid
- High efficiency speed InCreaser from 1500 RPM to 1800 RPM

Optional Equipment

Remote radiator system or high ambient system
Critical silencer
Outdoor sound attenuated enclosure
US EPA certifications or site testing
U.L. certification

High voltage generator - 4,160 or 13,800
Main line circuit breaker
Remote annunciator (NFPA compliant)
Spring vibration dampers
Automatic transfer switch

Paralleling controls
Jacket water heater
Starting aids for 10 to 15 second start-up
Gas booster when main gas from utility is less than 2.9 PSI W.C.
Others, as required

All information detailed is for guidance only and is subject to change without notice due to our commitment to continuous improvement. All values should be confirmed with Centrica Business Solutions on a project specific basis.

Natural gas engine

MITSUBISHI GS16R2-PTK Miller cycle

Type	4 cycle, water-cooled, turbocharged, intercooled
Combustion chamber	Lean burn with pre-chamber
Compression ratio	13.9:1
Engine speed	1500 RPM
Cylinder arrangement	60° V, 12 cylinder
Displacement	4876 cubic inch; bore, 6.69; stroke 8.66
Exhaust flex diameter (MIN)	14 inches (inside)
Muffler diameter (MIN)	18 inches (inside)
Maximum exhaust back pressure	20 inches of water



Displays for digital control panel

Engine speed

Hours run

Manifold air temp

Intercooler inlet temp

Battery voltage

Phase to neutral voltage

Phase to phase voltage

Current (Amps) per phase

Frequency

Power factor

kW and kVA output

Various others

Engine/generator alarms

High manifold air temp

Low coolant level

Low oil pressure

Over-speed

High coolant temp

Emergency stop activated

Over and under voltage

Incorrect phase sequence

Over and under frequency

Reverse power

Negative sequence

current

Various others

Want to know more?

Rudox Power Generation is generating new opportunities across various industries.

Find out how we can help you.

centricabusinesssolutions.com

centrica
Business Solutions