

Rudox Power Generation Diesel Generator Set

ERM1600 (1600kW) – Mitsubishi

	Stand-by	Prime
ERM1500 Rated Output	60HZ	60HZ
Generator Output (kW)	1600	1440
Generator Output (kVA)	2000	1800
Engine Speed (RPM)	1800	1800

FUEL CONSUMPTION AT LOAD (Percent of rated output)	100%	75%	50%
1250kW of Power - Fuel (GPH)	126.2	93.8	64.8

HZ	Wire	Voltage Range	
60 HZ	3	416–480	208–240
60 HZ	4	240/416–277/480	120/208–138/240

Note: 4160 & 13800 are also available

Weight/Dimensions with Radiator (Indoor unit only)	
W x L x H (in)	94" x 236" x 130"
Wet Weight (lbs)	32,250

The **ERM1600 (1600 kW)** stand-by or prime generation system stands out as a leader in its class with a Stand-by output of **1600 kW** and a Prime output of **1440 kW**. It is powered by a heavy duty **MITSUBISHI** engine and coupled with an efficient Stamford generator. This Rudox Power generator set will meet and exceed all your power generation needs. At **126.2 GPH** at full load, the fuel efficiency of the reliable **MITSUBISHI** engine provides the consistent, dependable performance you have come to expect from any Centrica Business Solutions product. It is loaded with standard equipment such as a Digital Controller and the customer control interface is easy to operate with basic displays such as voltage, current and fuel level as well as alarms like over voltage, low oil pressure and high coolant temperature. All of this comes with the exceptional 24 hour, seven day a week service guarantee provided by the Centrica Business Solutions professional service team.

Performance Characteristics

Standard Rudox Power Generator Sets have high performance components to meet the toughest applications

Fast Starting

- Load transferred in 5-10 seconds depending on starting accessories

Paralleling Options

- Controls can be added for completely automatic multi-unit synchronization and load sharing

High Motor Starting Capacity

- 250% of rated capacity for 10 Seconds
- Fast recovery on sudden application of full load (3 - 6 Seconds typical)

Permanent Magnet Excitation

- Provides excellent performance with heavy SCR loads
- 300% full load current available for 10 Seconds during short circuit condition

Precise Voltage Regulation

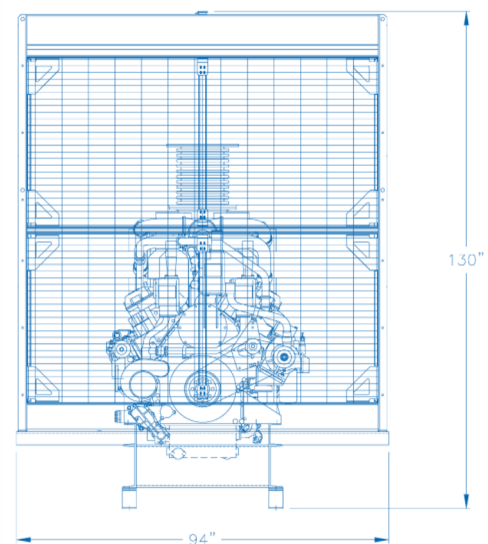
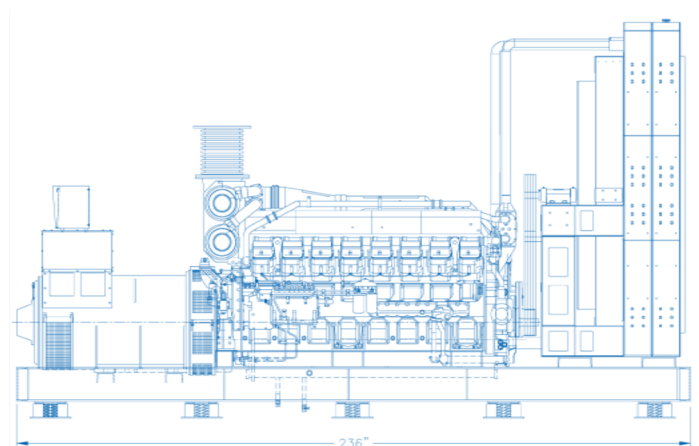
- + ½ % Steady State
- + 1 % from No Load to Full Load

Precise Frequency Control

- The Woodward ECM3 electronic isochronous governor has 0% droop, no load to full Load, and + ¼ % steady state

UL2200

- Units are built to U.L. Standards; U.L. Certification is also available



1600kW diesel stand-by generator - ERM1600 - 170525

Generator Set Specifications

	Stand-by	Prime
ERM1600 Rated Output	60 HZ	60 HZ
Engine Speed (RPM)	1800	1800
Engine H.P. (Gross HP)	2346	2133
Generator Output (kW)	1600	1440
Generator Output (kVA)	2000	1800
Cooling airflow (ACFM)	100548	100548
Combustion Air Flow (SCFM)	5932	5332
Exhaust Gas Flow (ACFM)	15642	14089
Heat Rejection to Ambient (BTU/MIN)	12073	10640

Standard Equipment

- MITSUBISHI S16R-Y2PTAW-1 Four Cycle Tier II Diesel Engine rated for USA EPA Tier II Emissions for Stand-By Use
- Newage Stamford Generator (PI734B) with (MX321) Static Voltage Regulator and permanent magnetic excitation rated per NEMA Code at 150°C (480 VAC)
- Heavy Duty Structural Steel Sub-Base
- Mitsubishi PS8 type Fuel System with Woodward ProAct Controller for Isochronous Speed (0% droop)
- Unit mounted radiator for 104°C ambient and 0.5" additional static
- 24 Volt Electric Start System with battery charging alternator
- Residential Silencer with Stainless Steel Flexible Connection
- 24 Volt Lead Acid Batteries, Rack and Cables
- Flexible fuel lines
- Unit mounted control panel with digital controller

Optional Equipment

Critical Silencer
Heat exchanger cooling
Outdoor sound attenuated enclosure
Day tank
Automatic transfer switch
Mainline circuit breaker

Remote annunciator
High ambient radiator
Load bank
Vibration dampers
paralleling controls
Low temperature rise generator

Battery charger
Extreme dust air cleaner
High voltage generator 4160 or 13800
Remote communications
U.L. Certification
NFPA-110 compliant
Others, as Required

All information detailed is for guidance only and is subject to change without notice due to our commitment to continuous improvement. All values should be confirmed with Centrica Business Solutions on a project specific basis.

Diesel Engine

MITSUBISHI S16R-Y2PTAW-1 TIER II

Type	4 Cycle, Water-Cooled, Turbocharged, Intercooled
Combustion Chamber	Direct Injection
Cylinder Arrangement	60° V, 12 Cylinder
Displacement	3989 Cubic Inch
Exhaust Flex Diameter (MIN)	14 Inches (inside)
Muffler Diameter (MIN)	16 Inches (inside)
Maximum Allowable Back Pressure	23.6 Inches of H ₂ O
Fuel Suction Size Max Flow (GPM)	1 Inch NPT; 2.46 GPM
Fuel Return Size Max Flow (GPM)	1 Inch NPT; 1.0 GPM



Displays for Digital Control Panel

Engine speed	L-L & L-N voltage	Frequency
Hours run	Current (Amps) per phase	Power factor
Fuel level	kW per phase & total	Gen V & I unbalance
Battery voltage	kVA per phase & total	Various others

Engine/Generator Alarms

Low fuel level	High coolant temperature	Reverse power
Low coolant level	Emergency stop	Excitation loss
Low oil pressure	Over and under voltage	Overcurrent
Over-speed	Over and under frequency	Various others

Want to know more?

Rudox Power Generation is generating new opportunities across various industries.

Find out how we can help you.

centricabusinesssolutions.com

centrica
Business Solutions